

Alloy 6061 - T6 Aluminum "T" Bars — 20 Foot Lengths

T

Size			Lbs / Foot
1" x	1" x	1/8"	0.276
1 1/2" x	1 1/2" x	3/16"	0.724
2" x	1" x	3/16"	0.637
	1 1/2" x	3/16"	0.766
	2" x	1/4"	1.157
	2 1/2" x	1/4"	1.307
2 1/2" x	2 1/2" x	5/16"	1.909
4" x	4" x	3/8"	3.503

Alloy 6061 - T6 Aluminum "I" Beams — 20 Foot Lengths

I

Size			Lbs / Foot
3" x	2 1/2" x	3/16"	2.164
4" x	3" x	3/16"	2.735
	4" x	1/4"	4.120
5" x	3" x	0.210"	3.430
6" x	4" x	0.210"	4.692
		0.281"	5.457

Alloy 6061 - T6 Aluminum "H" Beams — 20 Foot Lengths

H

Size			Lbs / Foot
6" x	6" x	0.240" (25')	5.401
		0.312"	7.594

Alloy 6061 - T6 Aluminum Marine Extrusions

Size		Lbs / Foot
hull stiffener	x 25 ft lens	1.253
1 1/4" split pipe	x 20 ft lens	0.761
2" sch 40 half pipe	x 20 ft lens	0.645

Alloy 6063 - T5 Aluminum Sign Extrusions

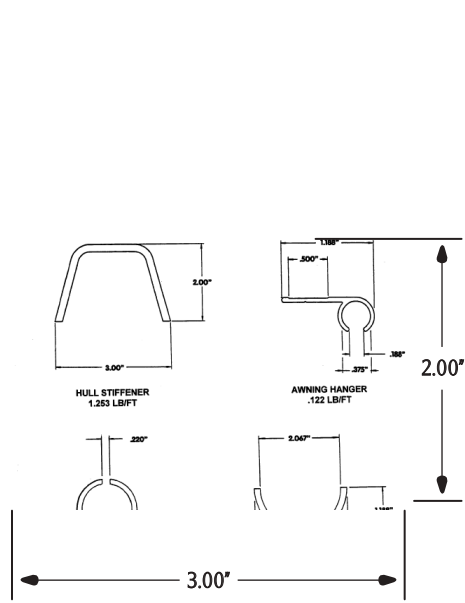
Size		Lbs / Foot
(#18618) 6" Signblade	x 10 ft lens	0.905

BARNS / BOARDS / EXTENSIONS

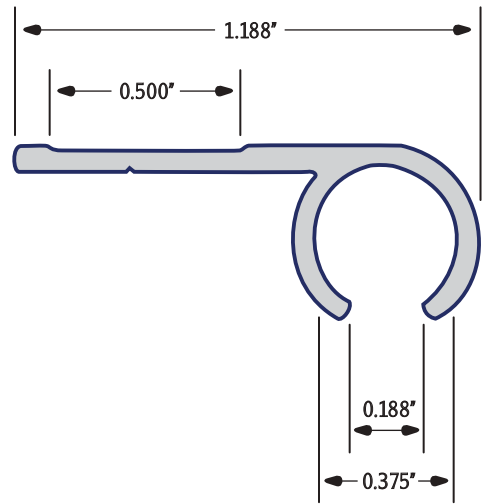


Extrusions

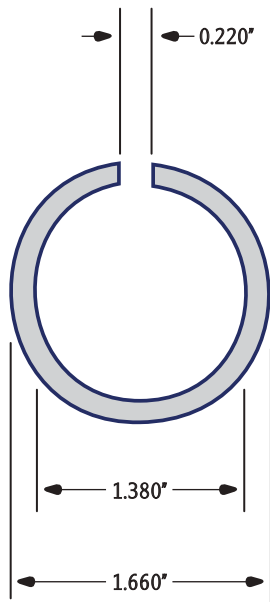
Extrusions



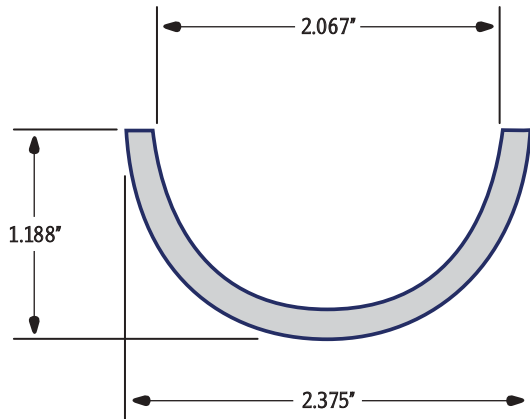
HULL STIFFENER
1.253 LBS/FT



AWNING HANGER
0.122 LBS/FT



1.25" SPLIT PIPE
0.761 LBS/FT



2" SCH 40 HALF PIPE
0.645 LBS/FT



6" SIGN BLADE
0.905 LB/FT



Alloy 6063 - T5 Aluminum Railing Shapes

Size			Lbs / Foot
(SB3786)	rectangle picket toprail	x 25 ft lens	0.782
(SB3787)	round picket toprail	x 25 ft lens	0.660
(SB3788)	round glass toprail	x 25 ft lens	0.970
(VH63550)	small rectangle glass top	x 25 ft lens	0.974
(VH6589)	large rectangle glass top	x 25 ft lens	1.061
(T Top)	4" T Toprail	x 25 ft lens	1.306
(VS4559)	1½" glazing channel	x 25 ft lens	0.334
(VS5021)	1" x 1" glazing channel	x 25 ft lens	0.292
(VS10392)	privacy panel	x 22 ft lens	0.434
(#28876)	rectangle toprail sleeve	x 25 ft lens	0.612
(#28746)	round toprail sleeve	x 25 ft lens	0.545
(#11344)	small handrail bracket	x 12 ft lens	1.629
(#lg-hndrl)	large handrail bracket	x 20 ft lens	1.757



Railing Shapes



Alloy 6063 - T5 Aluminum Picket & Pipe

Size				Lbs / Foot
5/8" x	5/8" x	0.050" wall	x 36 ft 7/8" lens	0.135
5/8" x	5/8" x	0.050" wall	x 22 ft lens	0.135
1 1/2" x	1/2" x	0.055" wall	x 22 ft lens	0.220
	5/8" x	0.050" wall	x 22 ft lens	0.240
1 1/2" sch	10		x 20 ft lens	0.737
2" sch	10		x 20 ft lens	0.913

Alloy 6061 - T6 Aluminum Post

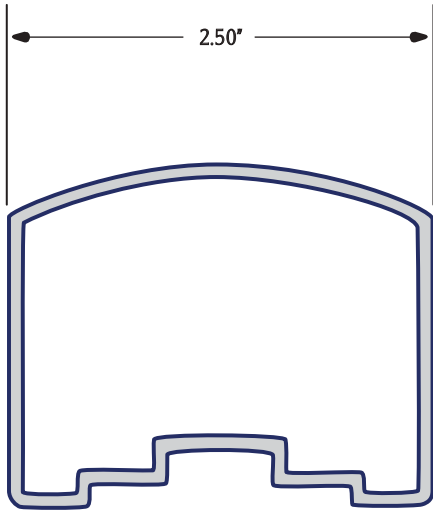
Size				Lbs / Foot
1 1/2" x	1 1/2" x	0.075" wall	x 20 ft lens	0.513
		0.095" wall	x 20 ft lens	0.641
2" x	2" x	0.079" wall	x 20 ft lens	0.713
		0.095" wall	x 20 ft lens	0.869
		0.125" wall	x 20 ft lens	1.126
2 1/2" x	2 1/2" x	0.079" wall	x 42 ft 3/4" lens	0.913
		0.079" wall	x 25 ft lens	0.913

Alloy 6063 - T5 Aluminum Channels

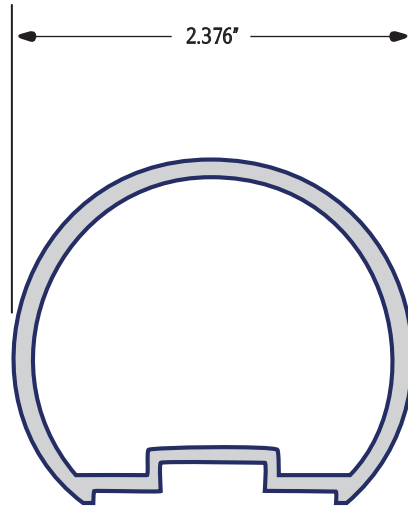
Size				Lbs / Foot
1 1/4" x	5/8" x	1/8"	x 25 ft lens	0.388
1 1/2" x	3/4" x	0.071"	x 25 ft lens	0.242
		0.080"	x 25 ft lens	0.270
		0.125"	x 20 ft lens	0.413
1 3/4" x	3/4" x	0.090"	x 25 ft lens	0.326



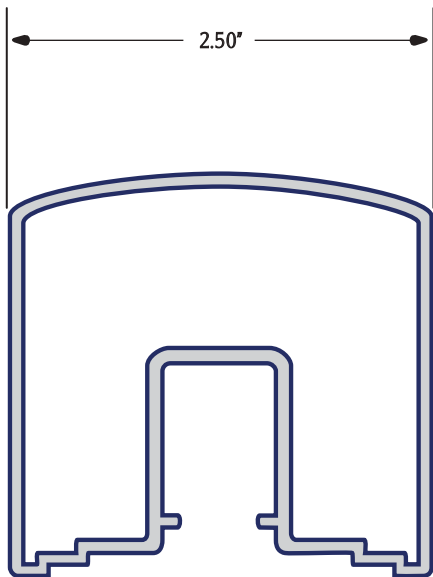
Extrusions



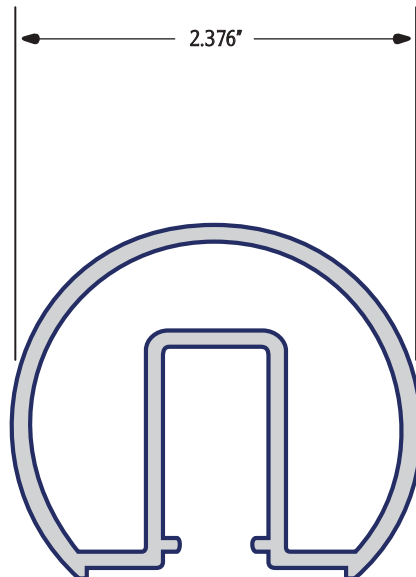
VH 6546 / SB 3786
RECTANGULAR PICKET TOPRAIL
0.770 LBS/FT



VH 10675 / SB 3787
ROUND PICKET TOPRAIL
0.660 LBS/FT



VH 6589
RECTANGULAR GLASS TOPRAIL
1.061 LBS/FT



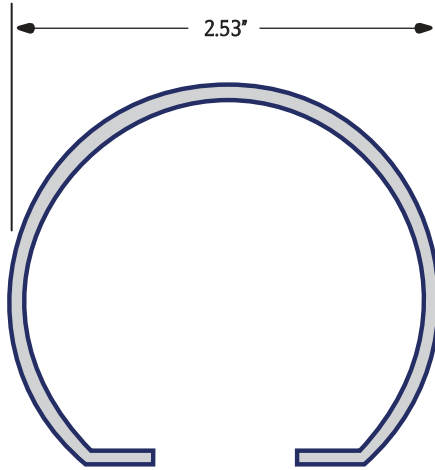
SB 3788
ROUND GLASS TOPRAIL
0.970 LBS/FT

EXTRUSIONS

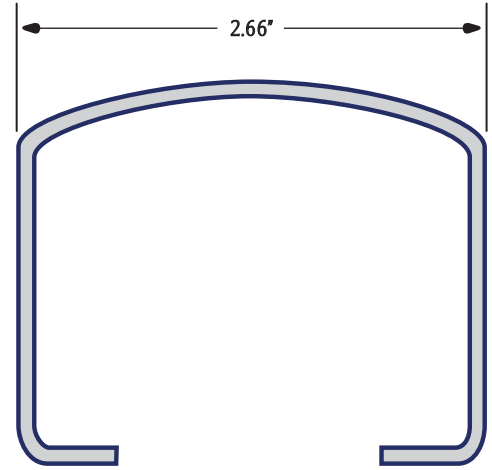


Extrusions

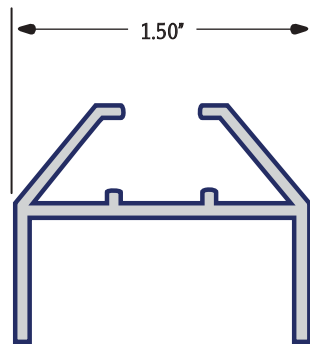
Extrusions



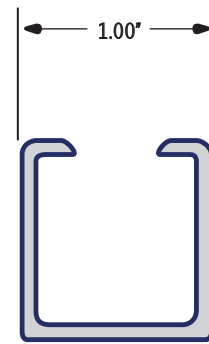
VS 11242
ROUND SLEEVE
0.610 LBS/FT



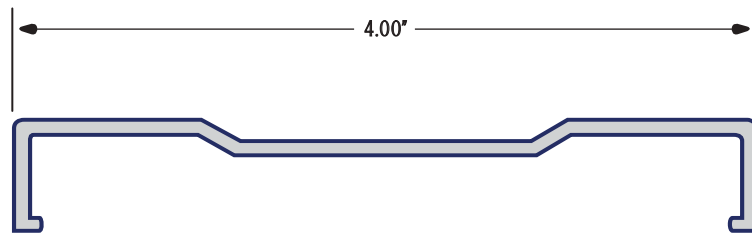
VS 11243
RECTANGULAR SLEEVE
0.612 LBS/FT



VS 4559
1 1/2" GLAZING CHANNEL
0.334 LBS/FT



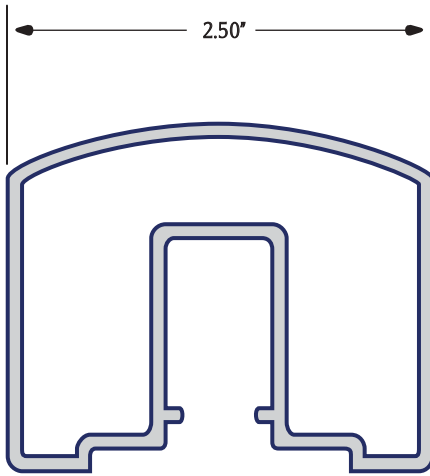
VS 5021
1" x 1" GLAZING CHANNEL
0.292 LBS/FT



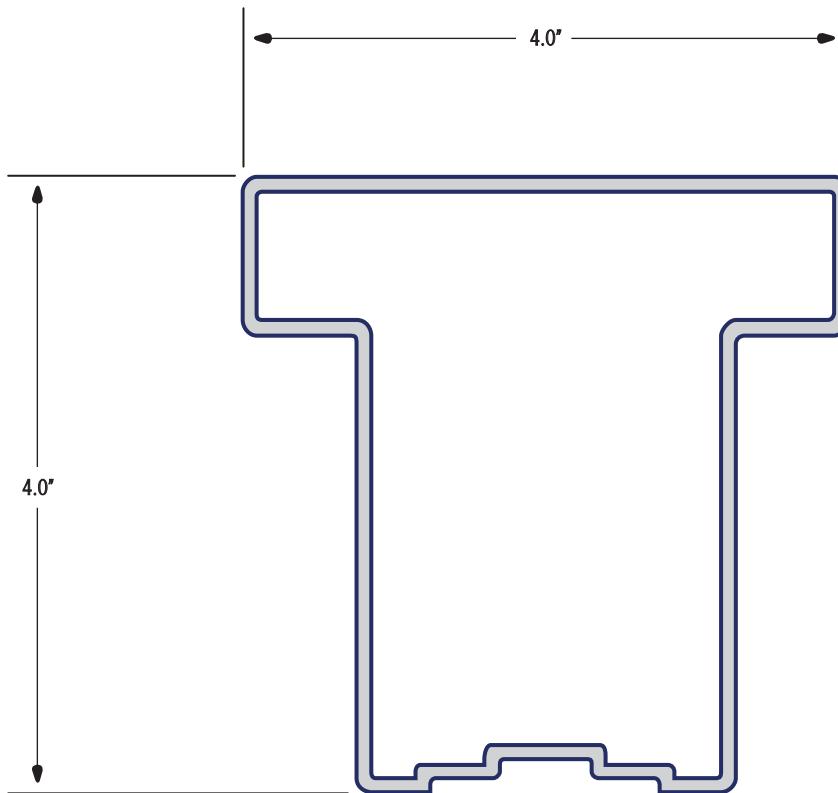
VS 10392
PRIVACY PANEL
0.434 LBS/FT



Extrusions



VS 63550
SMALL RECTANGULAR GLASS
0.974 LBS/FT



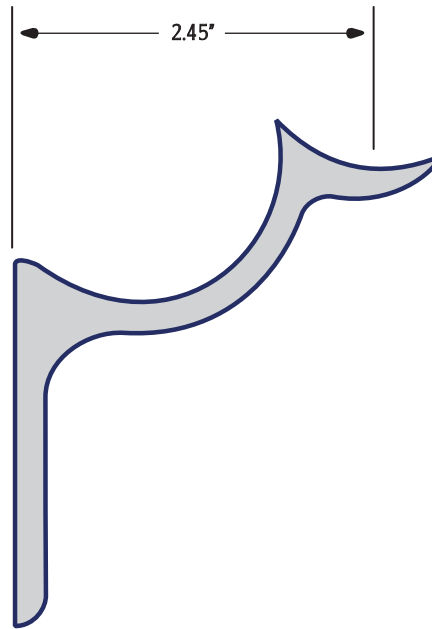
T - TOP
4" T - TOPRAIL
1.306 LBS/FT

EXTRUSIONS

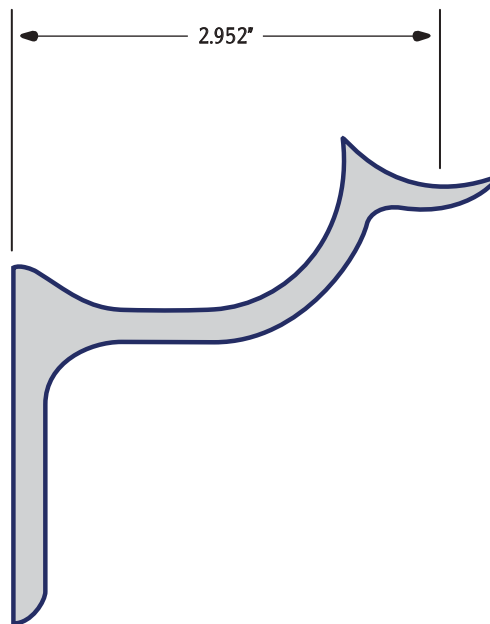


EXTRUSIONS

Extrusions



11344
SMALL HANDRAIL BRACKET
1.629 LBS/FT



750297
LARGE HANDRAIL BRACKET
1.757 LBS/FT

